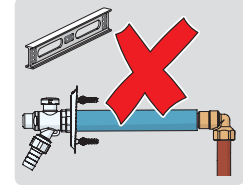
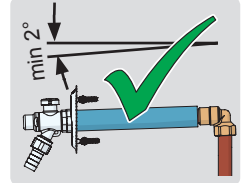
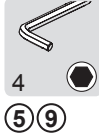
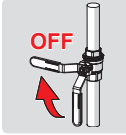


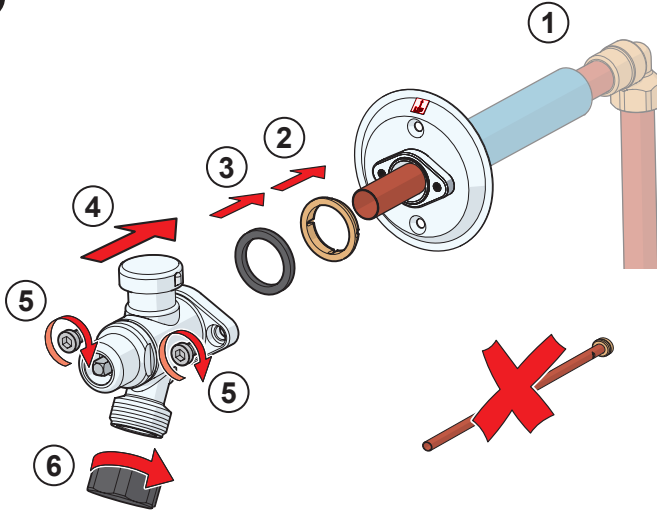
6950 9101

INSTALLATION AND MAINTENANCE GUIDE





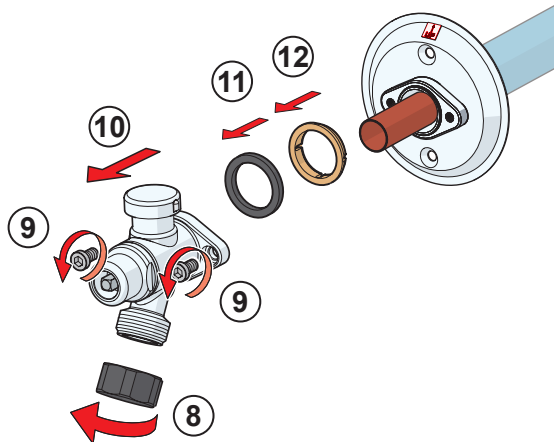
1



7

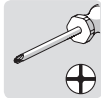


max.
1600 kPa

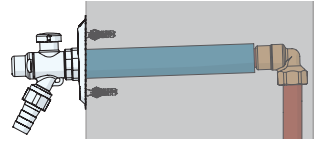




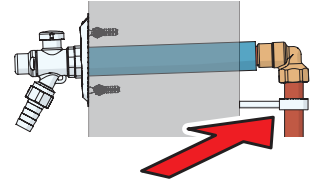
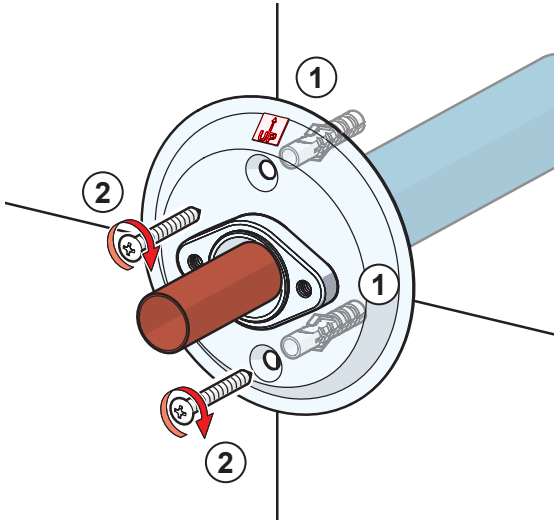
①



②

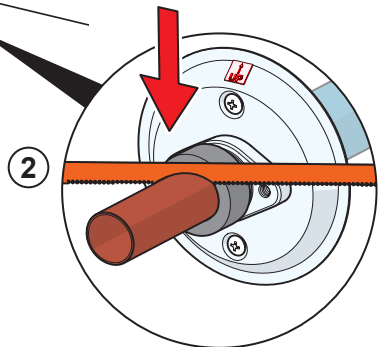
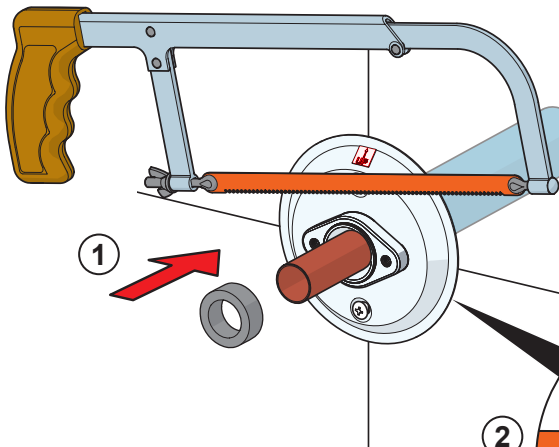


②



②

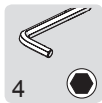
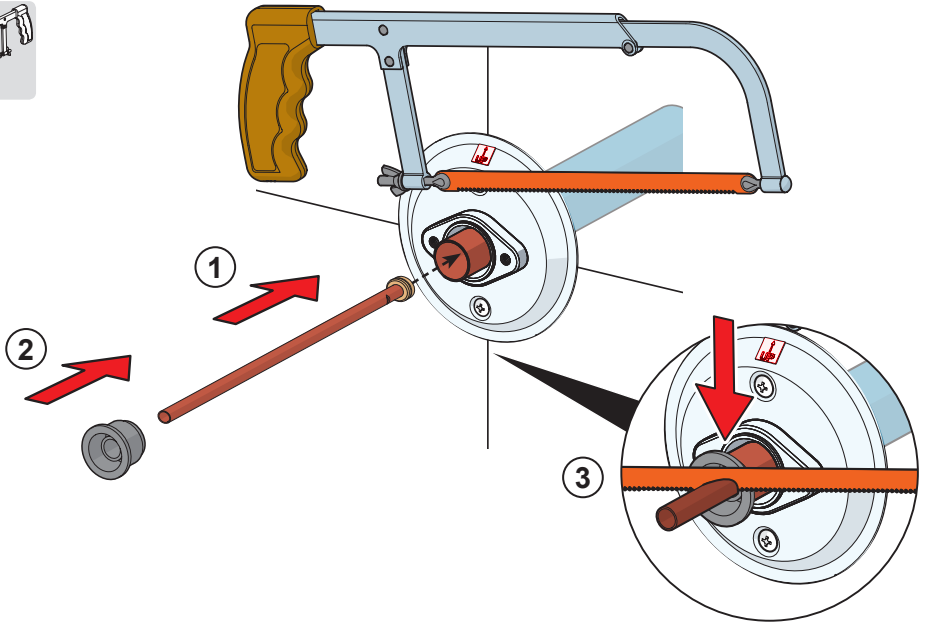
③





3

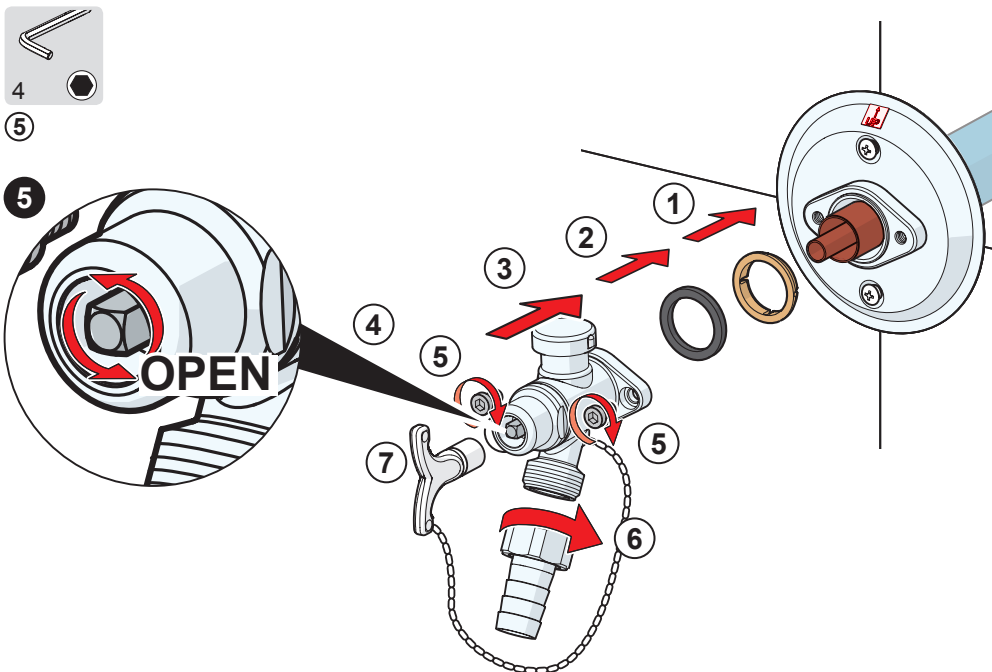
4

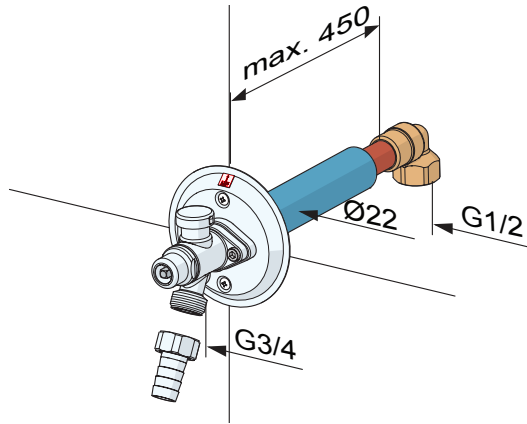


4

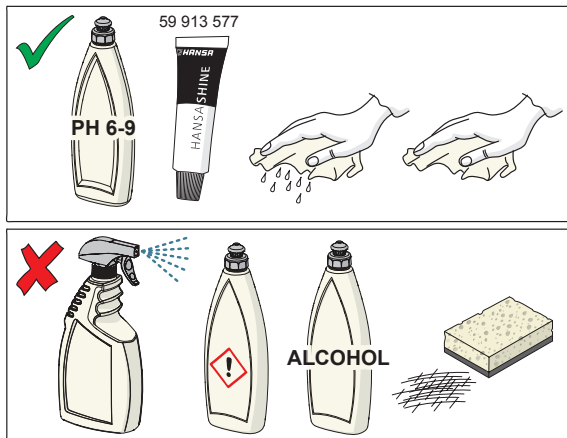
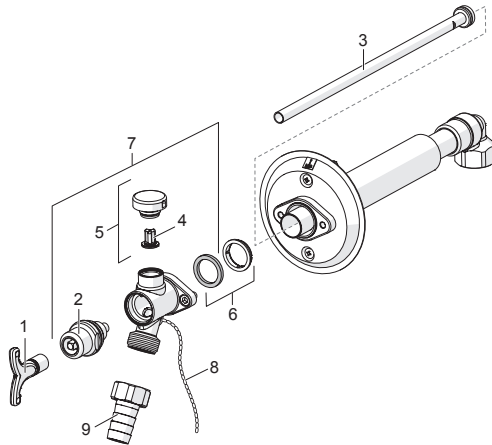
5

5





- 1 59 914 267
- 2 59 914 268
- 3 59 914 269
- 4 59 914 270
- 5 59 914 271
- 6 59 914 272
- 7 59 914 273
- 8 59 914 274
- 9 59 914 275



Oras Group is a powerful European provider of sanitary fittings: the market leader in the Nordics and a leading company in Continental Europe. The company's mission is to make the use of water easy and sustainable and its vision is to become the European leader of advanced sanitary fittings. Oras Group has two strong brands, Oras and Hansa.

The head office of the Group is located in Rauma, Finland, and the Group has four manufacturing sites: Burglengenfeld (Germany), Kralovice (Czech Republic), Olesno (Poland) and Rauma (Finland). Oras Group employs approximately 1400 people in twenty countries. Oras Group is owned by Oras Invest, a family company and an industrial owner.

HANSA Armaturen GmbH
P. O. BOX 81 02 40
D-70519 Stuttgart

Sigmaringer Strasse 107
D-70567 Stuttgart
Tel.: +49 711 16 14 0
Fax: +49 711 16 14 368
info@hansa.de

www.hansa.com



a member of  orasgroup