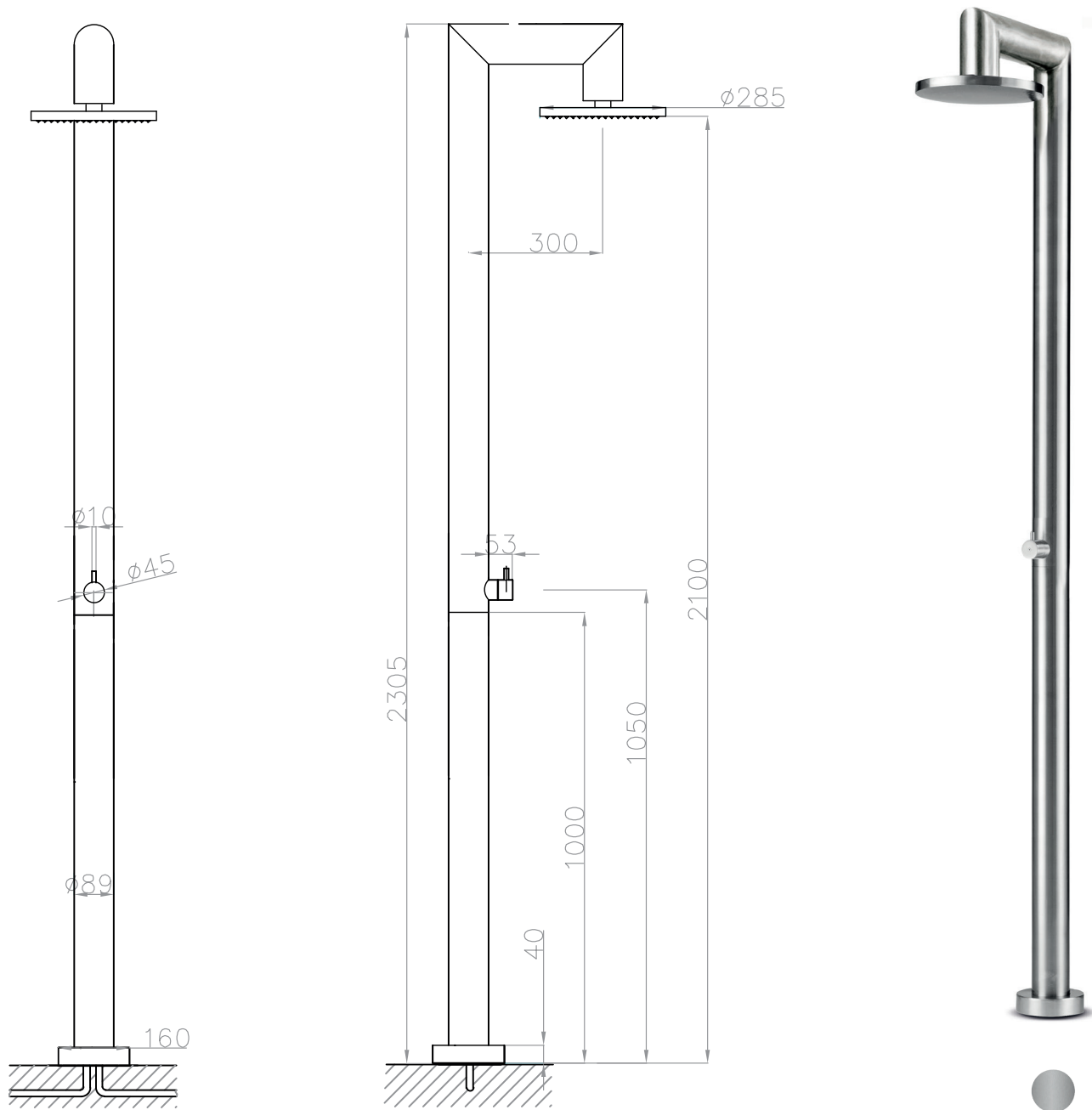




JEE-O fatline shower 04



Article code: 200-6400
Brushed
Material: Stainless Steel r304
Cleaning instructions: download JEE-O shower and taps manual on our website: www.jee-o.com
Cartridge: JEE-O ceramic mixing mechanism (progressive), item code 005-0402
Flow at water of 38°C /100,4°F: 12L p/m at 3bar pressure

Connection: 2 x G 1/2" (ø15mm / 0.6") nylon^(out)/epdm⁽ⁱⁿ⁾ flexhose with brass swivel British Standard Pipe (BSP)
Thread:
Dimension package: L 158 x W 18 W 54 x H 21 cm
Total weight: 15.5 kg
Package weight: 2.0 kg

Placing on a water-tight floor

7 year warranty - The general conditions can be found on our website: www.jee-o.com/downloads

HS code: 84818011900

